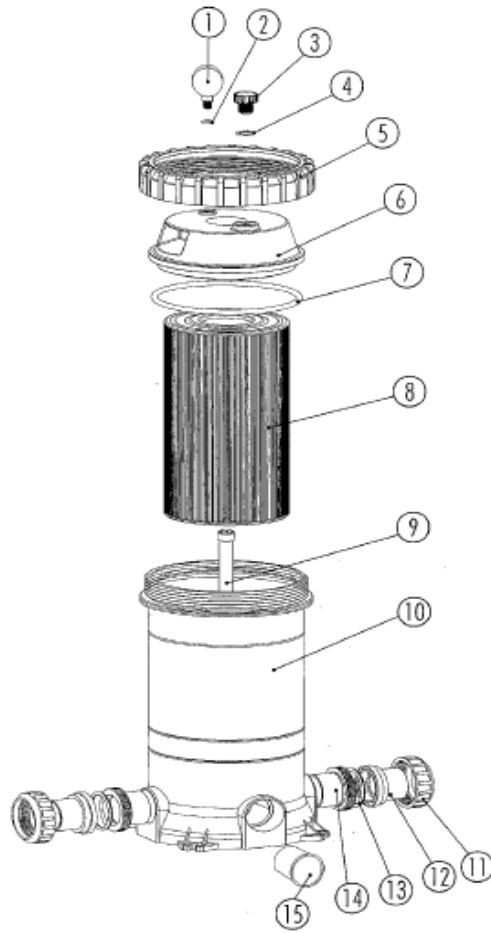


Parts Schematic Filters



AF25	PART NUMBER
1 PRESSURE GAUGE	BIA-AF25-FT-03W-04
2 O-RING	BIA-AF25-FT-03W-05
3 AIR BLEED SCREW	BIA-AF25-FT-022
4 AIR BLEED SCREW O-RING	BIA-AF25-FT-03W-03
5 LOCK RING	BIA-AF25-CF-01-01
6 FILTER LID	BIA-AF25-CF-01-02
7 FILTER LID O-RING	BIA-AF25-CF-01W-01
8 CARTRIDGE ELEMENT	BIA-AF25CART
9 AIR BLEED TUBE	BIA-AF25-CF-01W-02
10 FILTER BODY	BIA-AF25-FT-01-05
11 UNION NUT	BIA-AF25-MPV-02-006
12 UNION HEAD	BIA-AF25-CF-01-15
13 O-RING	BIA-AF25-MPV-01W-07
14 UNION HEAD	BIA-AF25-CF-01-15
15 BLANKING CAP	BIA-AF25-MPV-03-005

AF75	PART NUMBER
1 PRESSURE GAUGE	BIA-AF75-FT-03W-04
2 O-RING	BIA-AF75-FT-03W-05
3 AIR BLEED SCREW	BIA-AF75-FT-022
4 AIR BLEED SCREW O-RING	BIA-AF75-FT-03W-03
5 LOCK RING	BIA-AF75-CF-01-01
6 FILTER LID	BIA-AF75-CF-01-02
7 FILTER LID O-RING	BIA-AF75-CF-01W-01
8 CARTRIDGE ELEMENT	BIA-AF75CART
9 AIR BLEED TUBE	BIA-AF75-CF-01W-02
10 FILTER BODY	BIA-AF75-FT-01-05
11 UNION NUT	BIA-AF75-MPV-02-006
12 UNION HEAD	BIA-AF75-CF-01-15
13 O-RING	BIA-AF75-MPV-01W-07
14 UNION HEAD	BIA-AF75-CF-01-15
15 BLANKING CAP	BIA-AF75-MPV-03-005

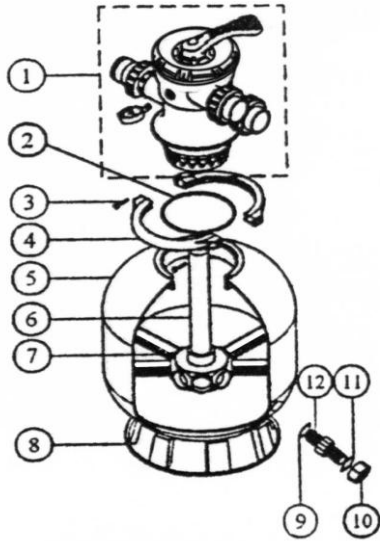
AF150	PART NUMBER
1 PRESSURE GAUGE	BIA-AF150-FT-03W-04
2 O-RING	BIA-AF150-FT-03W-05
3 AIR BLEED SCREW	BIA-AF150-FT-022
4 AIR BLEED SCREW O-RING	BIA-AF150-FT-03W-03
5 LOCK RING	BIA-AF150-CF-01-01
6 FILTER LID	BIA-AF150-CF-01-02
7 FILTER LID O-RING	BIA-AF150-CF-01W-01
8 CARTRIDGE ELEMENT	BIA-AF150CART
9 AIR BLEED TUBE	BIA-AF150-CF-01W-02
10 FILTER BODY	BIA-AF150-FT-01-05
11 UNION NUT	BIA-AF150-MPV-02-006
12 UNION HEAD	BIA-AF150-CF-01-15
13 O-RING	BIA-AF150-MPV-01W-07
14 UNION HEAD	BIA-AF150-CF-01-15
15 BLANKING CAP	BIA-AF150-MPV-03-005
15 BLANKING CAP	BIA-AF150-MPV-03-005

T21	PART NUMBER
1 VALVE	BIA-T21-BSSG-01
2 SCREW	BIA-T21-BSSG-02
3 O-RING	BIA-T21-BSSG-03
4 FILTER TANK	BIA-T21-BSSG-04
5 LATERAL ASEMBLY WITH CENTRAL PIPE	BIA-T21-BSSG-05
6 LATERAL	BIA-T21-BSSG-06
7 FILTER BASE	BIA-T21-BSSG-07
8 O-RING	BIA-T21-BSSG-08
9 DRAIN CAP	BIA-T21-BSSG-09
10 O-RING BIA-T21-BSSG-10	
11 DRAIN BIA-T21-BSSG-11	

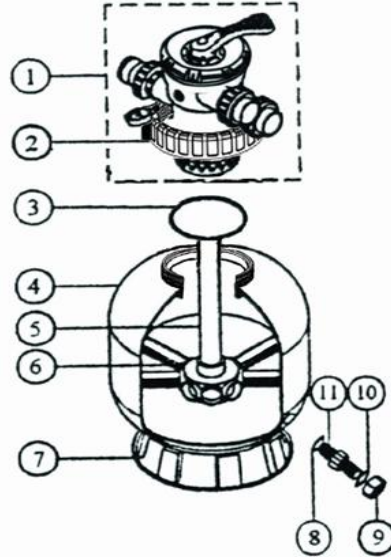
T25	PART NUMBER
1 VALVE	BIA-T25-BSSG-01
2 SCREW	BIA-T25-BSSG-02
3 O-RING	BIA-T25-BSSG-03
4 FILTER TANK	BIA-T25-BSSG-04
5 LATERAL ASEMBLY WITH CENTRAL PIPE	BIA-T25-BSSG-05
6 LATERAL	BIA-T25-BSSG-06
7 FILTER BASE	BIA-T25-BSSG-07
8 O-RING	BIA-T25-BSSG-08
9 DRAIN CAP	BIA-T25-BSSG-09
10 O-RING	BIA-T25-BSSG-10
11 DRAIN	BIA-T25-BSSG-11

T32	PART NUMBER (PRIOR 1 FEB 2011)	PART NUMBER (AFTER 1 FEB 2011)
1 VALVE	BIA-T32-BSSG-01	BIA-T32-BSSG-01
2 SCREW/COVER	BIA-T32-BSSG-02	BIA-T32-BSSG-02NEW
2A SCREW		BIA-T32-BSSG-02BNEW
3 O-RING	BIA-T32-BSSG-03	BIA-T32-BSSG-03
4 FILTER TANK	BIA-T32-BSSG-04	BIA-T32-BSSG-04
5 LATERAL ASEMBLY WITH CENTRAL PIPE	BIA-T32-BSSG-05	BIA-T32-BSSG-05
6 LATERAL	BIA-T32-BSSG-06	BIA-T32-BSSG-06
7 FILTER BASE	BIA-T32-BSSG-07	BIA-T32-BSSG-07
8 O-RING	BIA-T32-BSSG-08	BIA-T32-BSSG-08
9 DRAIN CAP	BIA-T32-BSSG-09	BIA-T32-BSSG-09
10 O-RING	BIA-T32-BSSG-10	BIA-T32-BSSG-10
11 DRAIN	BIA-T32-BSSG-11	BIA-T32-BSSG-11

T21 and T25 Schematic



T32 Schematic



T32 Prior to 1 Feb 2011



T32 After 1 Feb 2011

